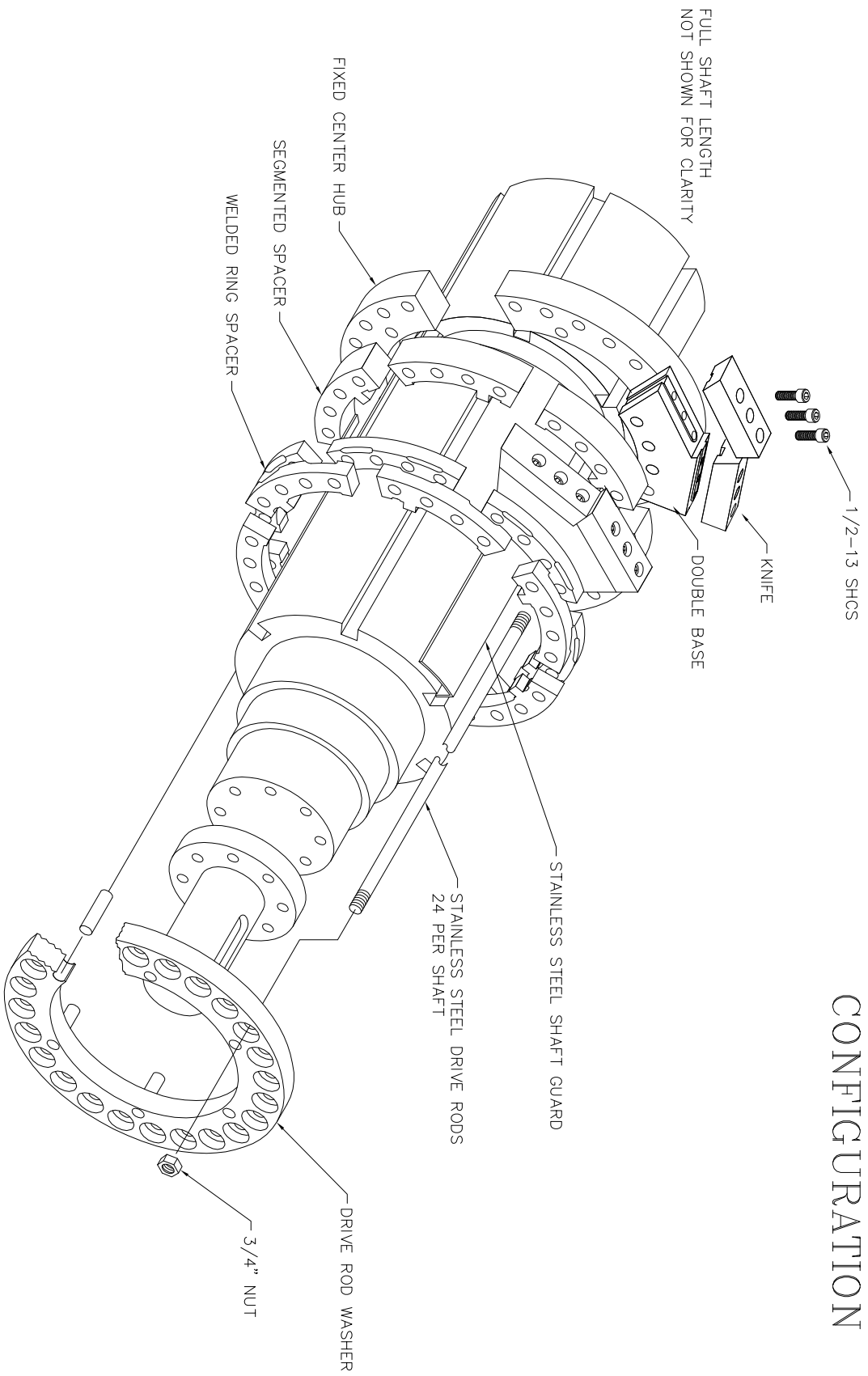


2" SECONDARY SHREDDER CONFIGURATION



BARCLAY ROTO-SHRED INC.

3164 LOOMIS ROAD, STOCKTON, CA 95205 • 209-466-1209

DATE	09-19-2006	JOB #	DRAWN BY
SCALE	NA		CHECKED BY SZ
TITLE	2S SHAFT ISOMETRIC		
			DRAWING # 2S DOUBLE BASE ISO